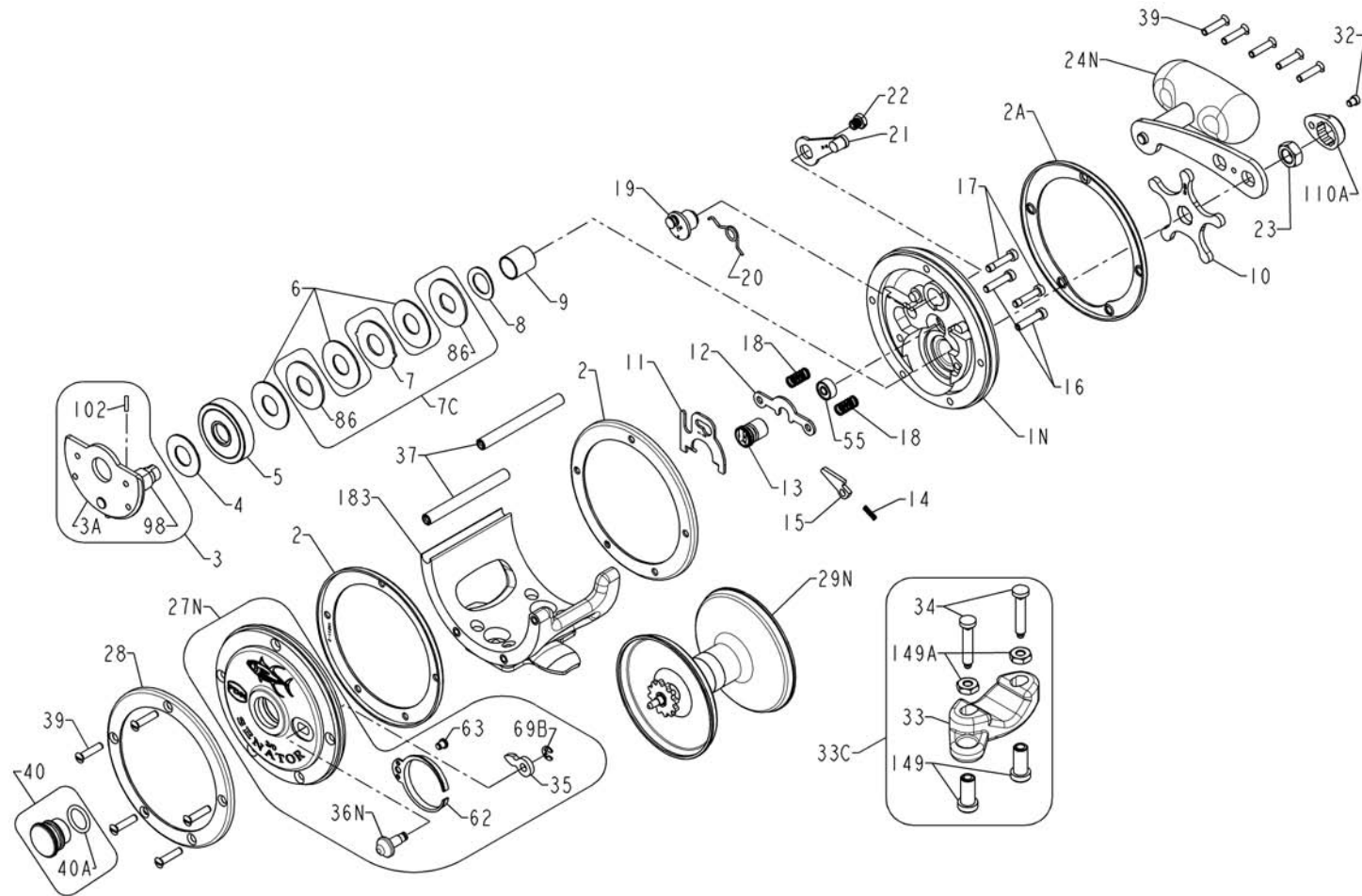




# PARTS LIST FOR MODEL 112H2



## KEY

NO.	DESCRIPTION	PART NO.
1N	1N-112H Right Side Plate	1197480
2	2-112H2i Inner Ring (2 req.)	1197486
2A	2-112H2O R.S. Outer Ring	1197487
3	3N-112H Bridge Assembly	1197493
3A	3-112H-1 Bridge Sub-Assembly	1197494
4	4-60 Fiber Washer	1180755
5	5-112H Main Gear	1190955
6	6-309 Drag Washer (3 req.)	1180917
7	7-500 Ear washer	1181018
7C	7C-500 Metal Drag Washer Set	1181051
8	8-60 Tension Spring	1181056
9	9-60 Spacing Sleeve	1181144
10	10-112H Star Drag Wheel	1197509
11	11-99 Eccentric Jack	1181230
12	12-112H Pinion Yoke	1192591
13	13-112H Pinion Gear	1197512
14	14-99 Dog Spring	1181393
15	15-309 Anti Reverse Dog	1181457
16	16-60CH Lower Bridge Screw (2 req.)	1181565
17	17-60CH Upper Bridge Screw (2 req.)	1181594
18	18-60 Yoke Spring (2 req.)	1181615
19	19-250 Eccentric	1181676
20	20-60L Eccentric Spring	1181756
21	21-49 Eccentric Lever	1181831
22	22-112H2 Eccentric Screw	1197513
23	23-555 Handle Nut	1181950
24N	24N-112H Handle Assembly	1197516
27N	27N-112H Left Side Plate Assembly	1197520
28	28-112H2 Left Side Outer Ring	1197526
29N	29N-112H Spool Assembly	1197529
32	32-15 Handle Nut Cap Screw	1182708
33	33-113 Rod Clamp	1182754
33C	33C-112H2 Rod Clamp Kit	1197533
*	*33R-200 Ringed Rod Clamp (Opt.)	*1182738
34	34-16VS Clamp Screw (2 req.)	1182786
35	35-60 Click Tongue	1182901
36N	36N-209 Click Button	1183048
37	37-65 Frame Post (2 req.)	1183060
39	39-112H Side Plate Screw (10 req.)	1197540
40	40N-113HL L.S. Bearing Cup Asm	1197542
40A	120-113H Bearing Cup O-Ring	1184522
55	55-113H R.S. Bearing	1183880
62	62-309 Click Spring	1184028
63	63-209 Click Spring Screw	1184048
69B	69B-600 Click Retaining Ring	1184129
86	86-500 Washer, Metal Keyed (2 req.)	1184261
98	98-112H Gear Sleeve	1198890
102	102-60 Gear Sleeve Pin	1184408
110A	110A-555 Handle Nut Cap	1184442
149	149-45 Rod Clamp Nut (2 req.)	1184702
149A	149-200 Hex Nut (2 req.)	1184706
183	183-112H Frame Assembly	1198899

\* Not Shown